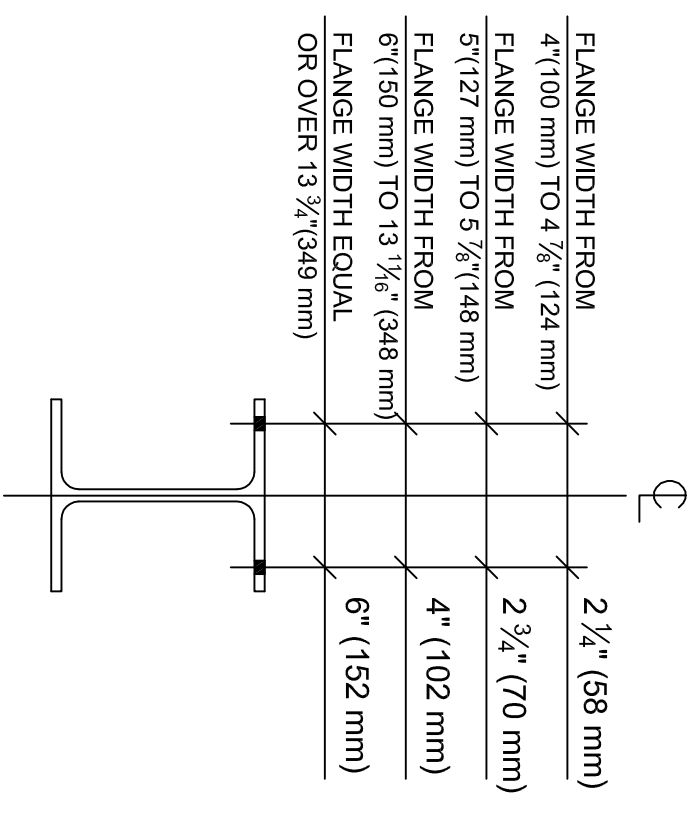


## SHOE DEPTH



## TYPICAL GAUGES

1. WHEN ONE JOIST BEARS AT THE JUNCTION OF TWO DIFFERENT BEAMS, USE THE SMALLER GAUGE.
2. THERE MAY BE DESIGN CONDITIONS THAT DICTATE VARIANCES ON THESE CONNECTIONS. FOR COORDINATION, CONTACT YOUR LOCAL SUPPLIER.
3. FOR SKEWED BEAM OR COLUMN, SEE JOIST TYPE 20W AND 20X.